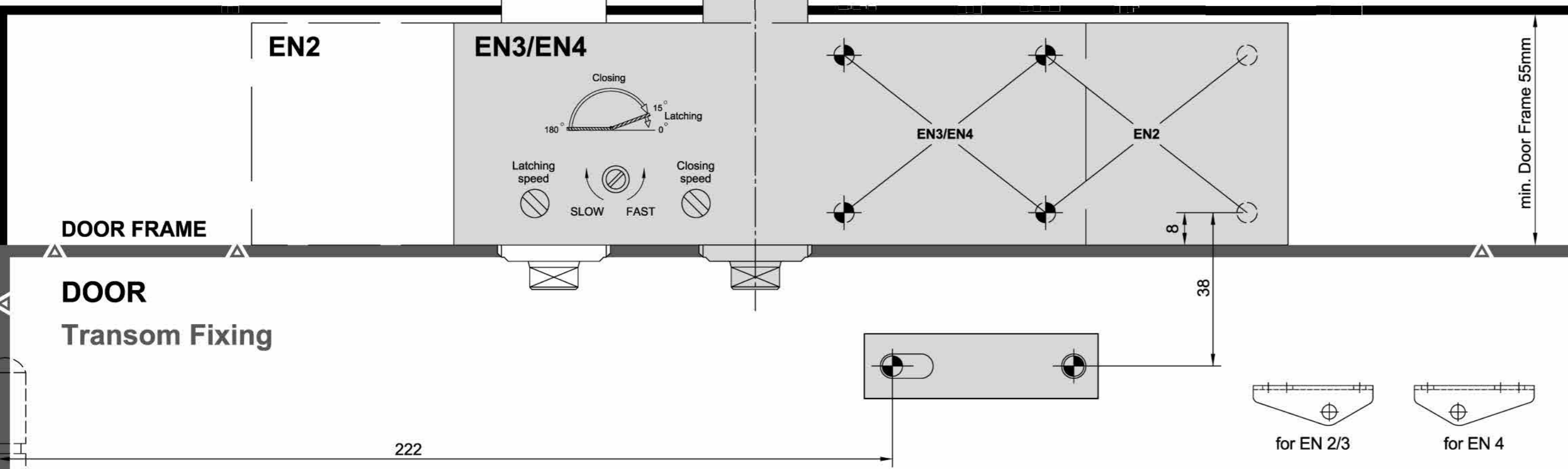


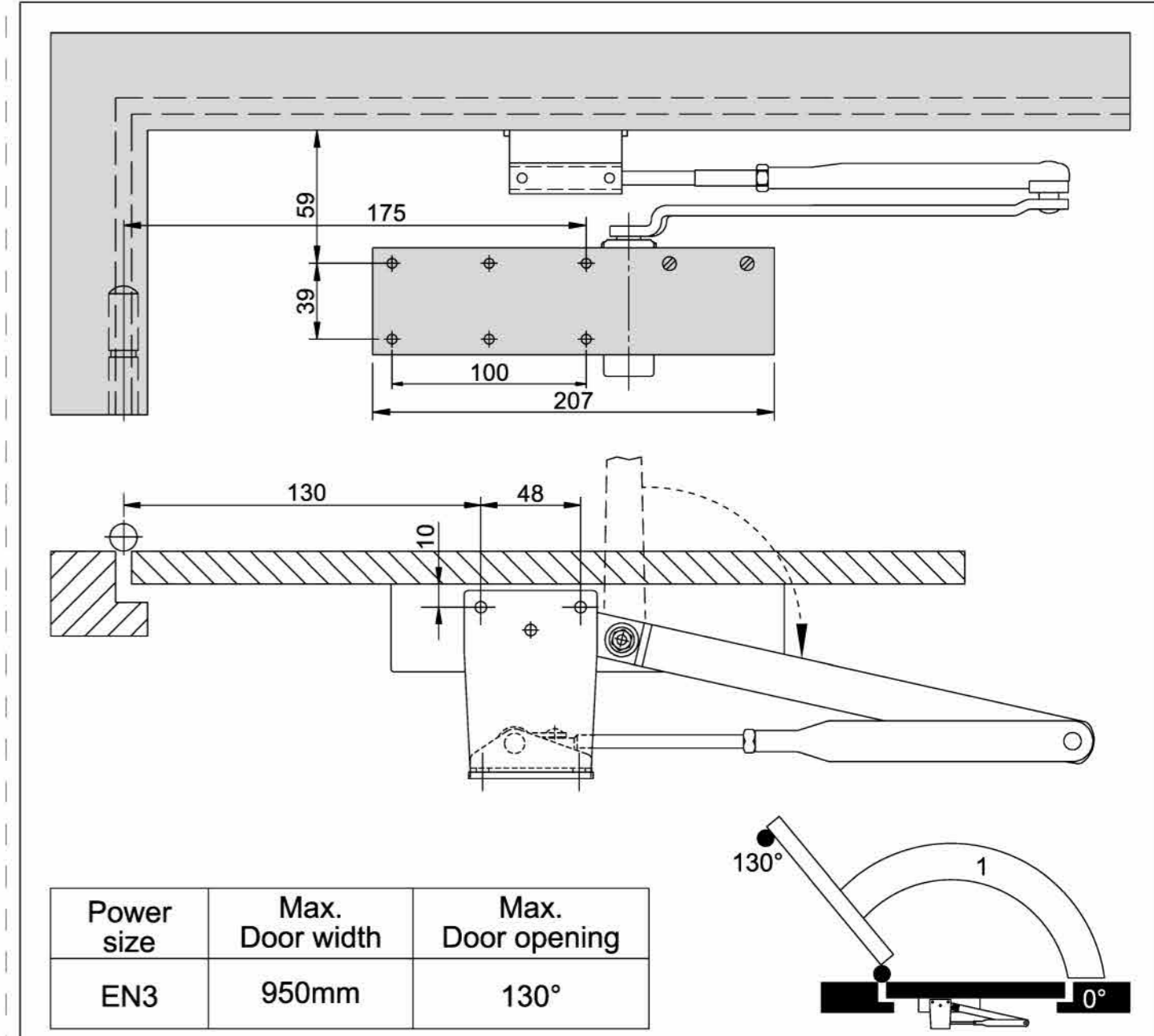
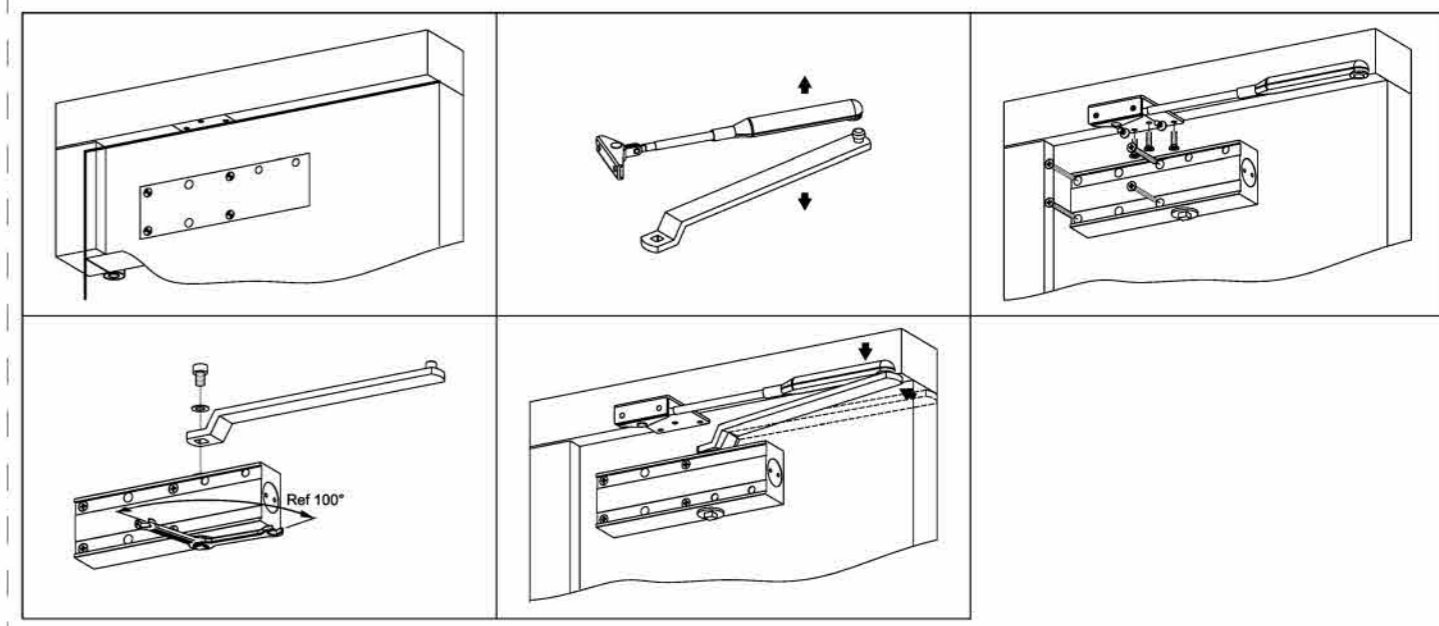
Fold Here



*** Fixing in Fig1**

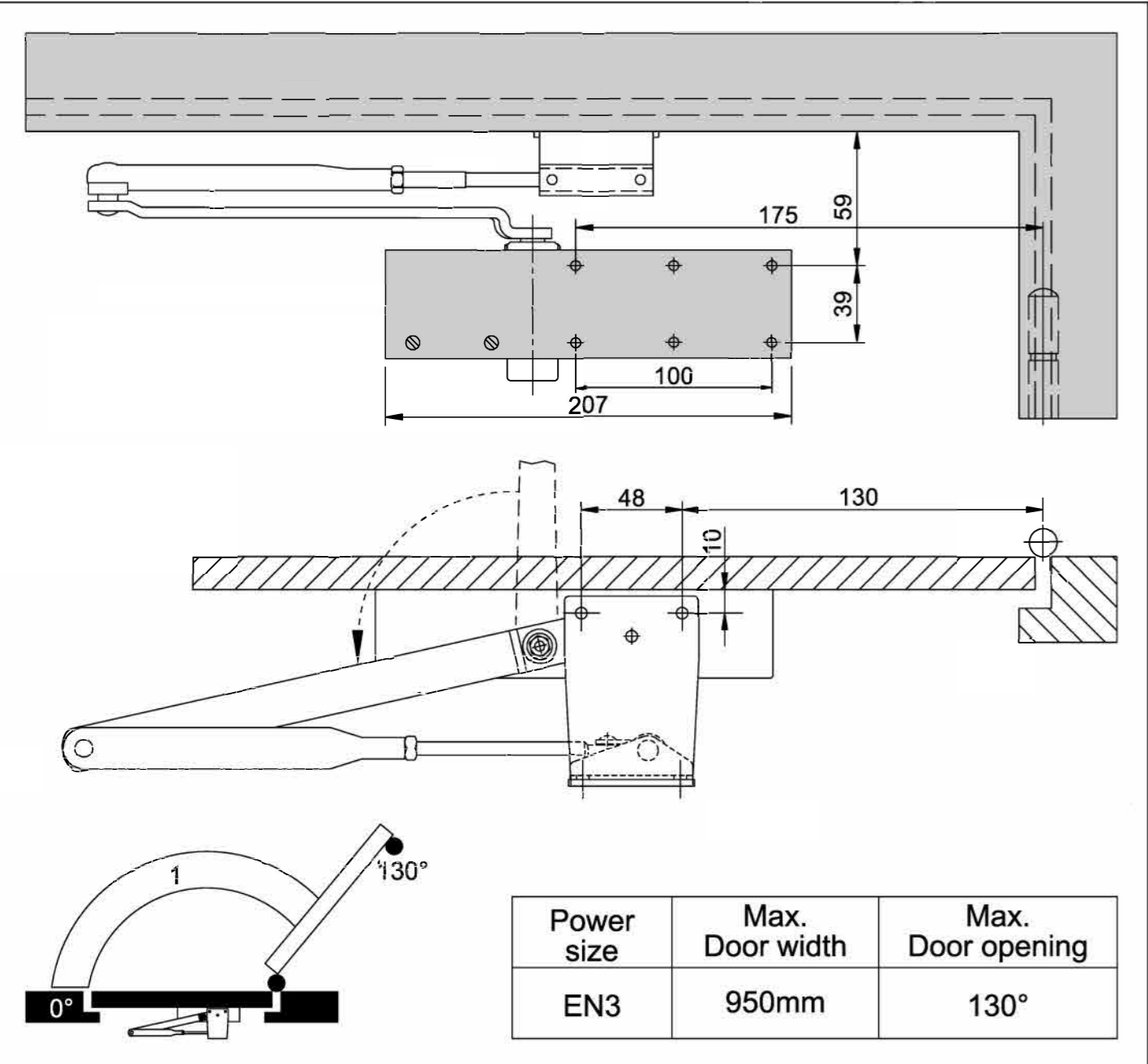
	Max. Door width	Max. Door weight	Max. Door opening
EN2	850mm	40Kg	180°
EN3	950mm	60Kg	180°
EN4	1100mm	80Kg	130°

Parallel fixing on push side.



Power size	Max. Door width	Max. Door opening
EN3	950mm	130°

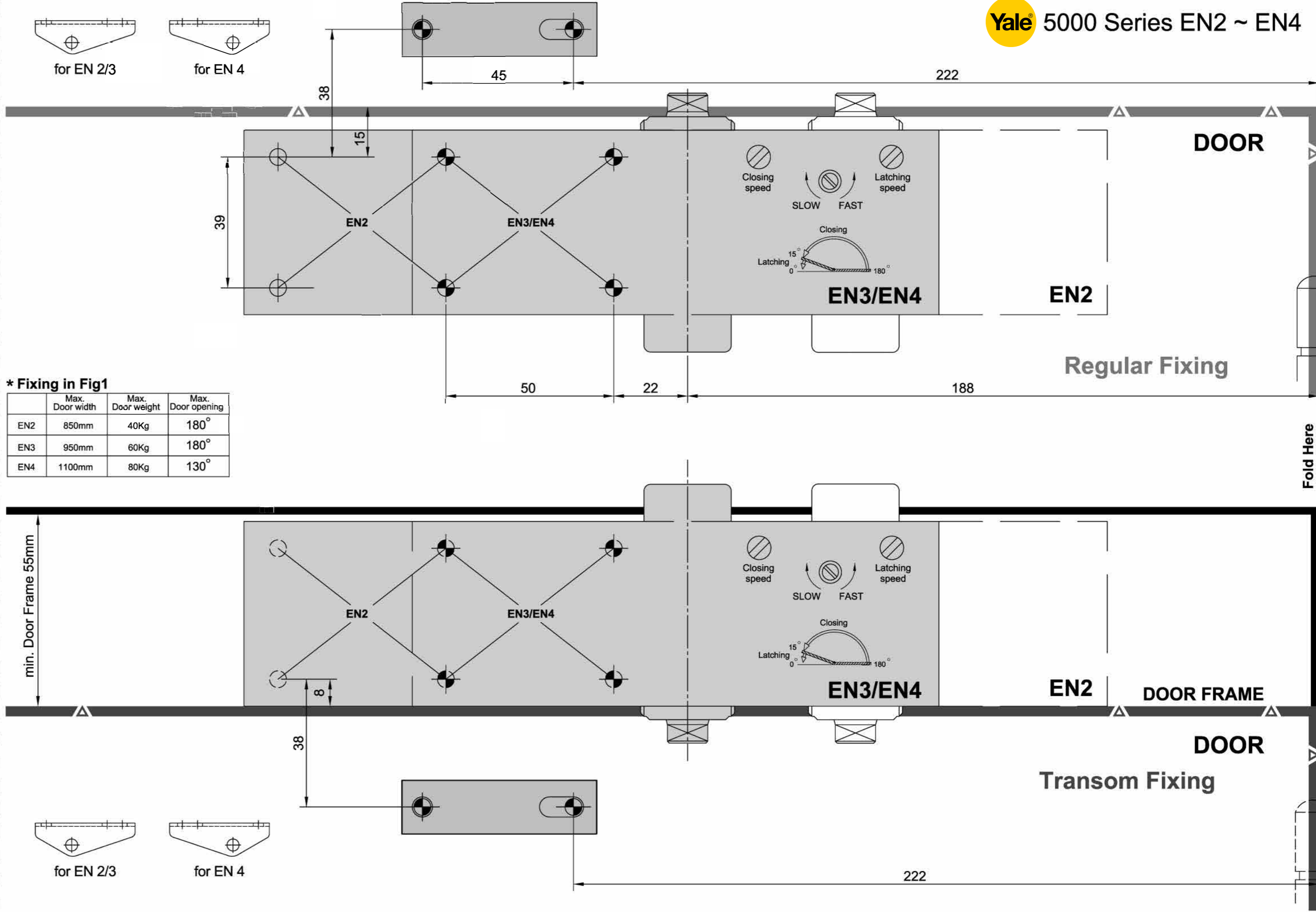
Parallel fixing on push side.



Power size	Max. Door width	Max. Door opening
EN3	950mm	130°

IMPORTANT INSTALLATION NOTES:

- AFTER INSTALLATION, PLEASE CHECK AND TEST:**
1. Open the door leaf to its maximum opening angle and release. The door leaf should close fully into the door frame and overcome the latch.
 2. Open the door leaf and rest the latch bolt on the striker plate. Release the door leaf. The door closer should have sufficient power to latch the door leaf closed.
 3. Back-check provides a cushioning effect when the door is forcibly thrown open but does not serve as substitute for a door stop.
- WARNING:**
1. Due to door closer power sizes 1&2 are NOT considered suitable for use fire/smoke door assemblies. Therefore, the minimum spring strength allowed for fire/smoke door assemblies is spring strength 3.
 2. The mechanical hold open devices must NOT be installed on fire/smoke door.
 3. Door closer should NOT be opened beyond the max. Opening angle of the power size you selected.
 4. This door closer contains a powerful spring, which is inserted into the body under pressure. Under no circumstances should not attempt to dismantle the door closer.
- MAINTENANCE:**
1. Check the door closer every three months to ensure all fixings are secure and adjust, if necessary, adjust the closing and latching speed and make the door operating both functionally and smoothly, in accordance with the expectations of EN 1154:1997.
 2. Apply light oil to arm knuckle joint and door hinges.



* Fixing in Fig1

	Max. Door width	Max. Door weight	Max. Door opening
EN2	850mm	40Kg	180°
EN3	950mm	60Kg	180°
EN4	1100mm	80Kg	130°

Fold Here