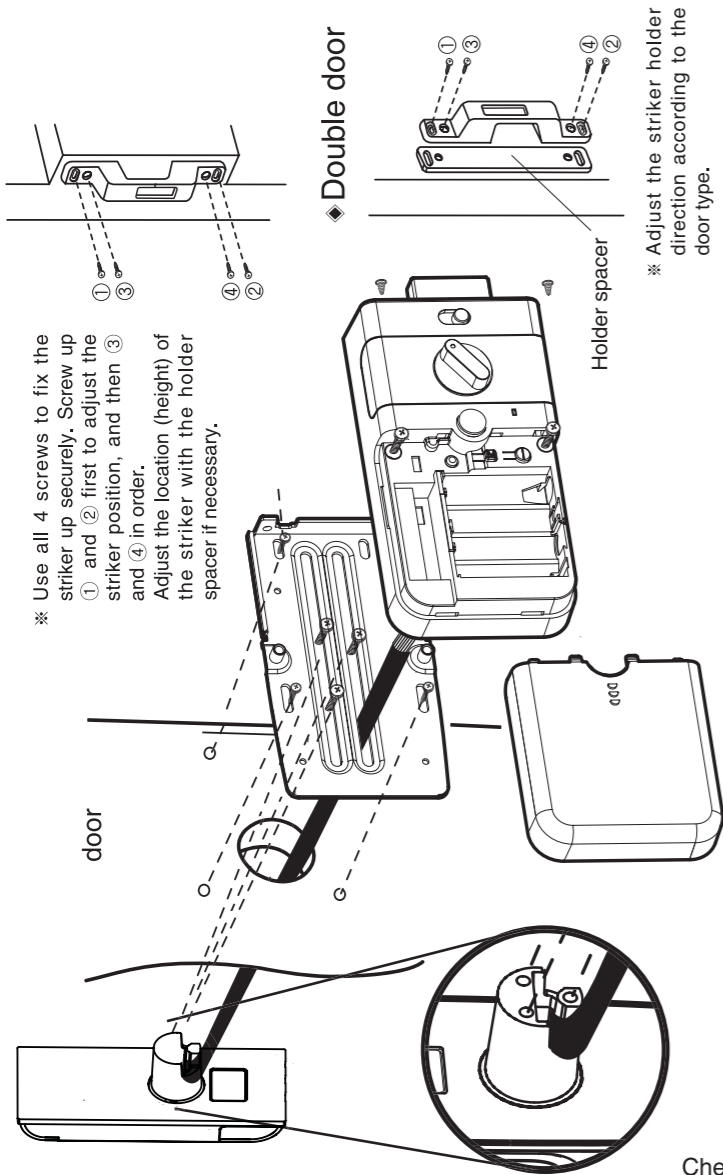


Installation View

◆ Single door



⚠ Check the left and right direction when fixing the striker.

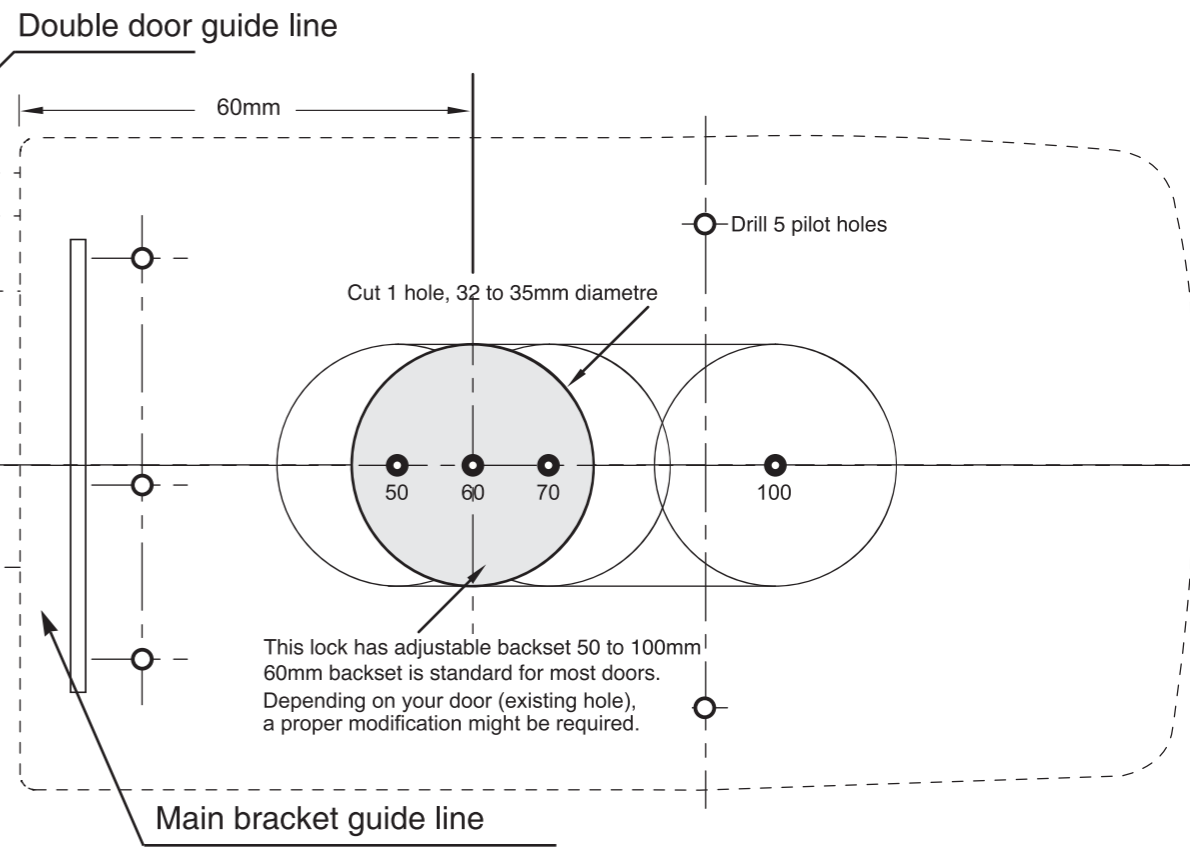
Single door folding line

Fold the dotted line

<Striker position for a single door>

<Striker position for a double door>

Installation Template Left-handed door

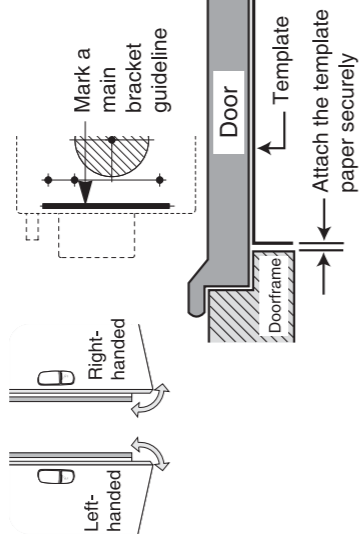


Installation Template Right-handed door

Installation Procedure

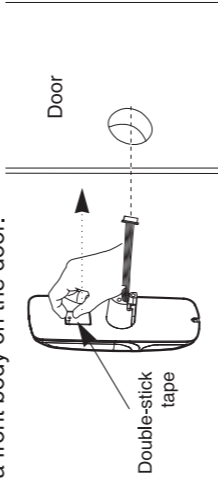
1. Remove the existing door lock.

2-1. [Single door] According to the right (RH) and left handed (LH) door type, fold the template paper at an angle of 90° following the dotted line. After closing the door on the inside, attach the template on the door and the frame as to the figure below. Mark the screwing point and main bracket's guideline with a pen.

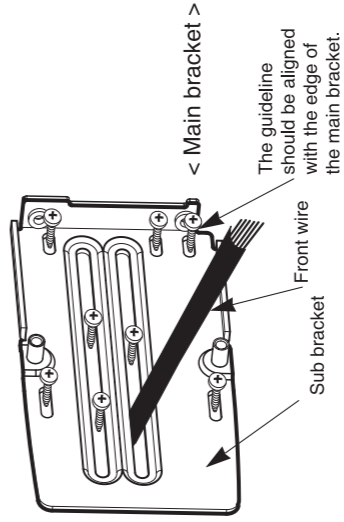


2-2 [Double door] After closing the door on the inside, make the indicated fold for double door properly aligned with the edge of the door. Mark the drilling and screwing points.

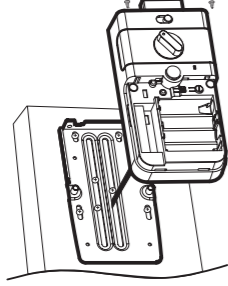
3. Remove a double stick tape on the back of the front body. Put the front wire through the door hole and attach a front body on the door.



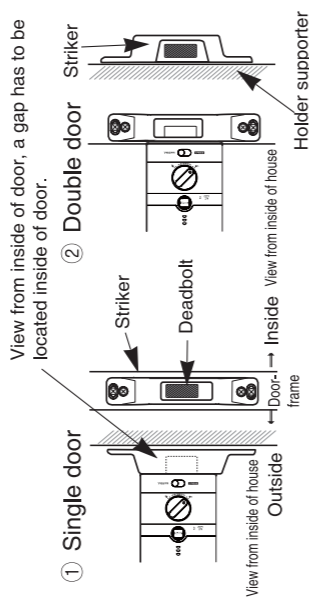
4. Make the main bracket aligned with the marked guide line. Put the front wire out of main and sub bracket according to the figure below. Fix the sub bracket with 3 screws and the main bracket with 5 screws.



5. Connect the front wire to the main circuit board properly and fix the back body with the bracket with 4 screws.



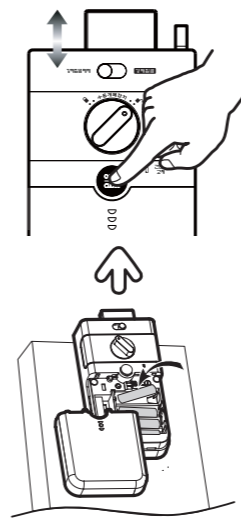
6. According to the door type (single or double), adjust the striker and screw it up tightly. Make the arrow mark on the back body positioned at the center of the striker.



※ In most cases, the door hang down towards the outside. Please locate the latch so that such distortion is compensated.

※ Adjust the location (height) of the striker with the holder spacers as necessary.

7. After installing the main body and the striker, put 4 batteries in the back body and close the cover. Make sure that the door operates properly by pressing [open/close] button.



⚠ Check points for Installer

1. The default Security Code is 1234567890
Test the Security Code works by pressing **[*] 123467890 [*]**
2. Check the Automatic Locking works properly. The door should automatically lock 5 seconds after closing.

⚠ Check points for Owner

1. Re-register your own Security Code
2. Read the User Manual before further use
3. Register your own keys
4. Understand the Emergency Power Supply feature
5. Understand the Forced Lock Modes

